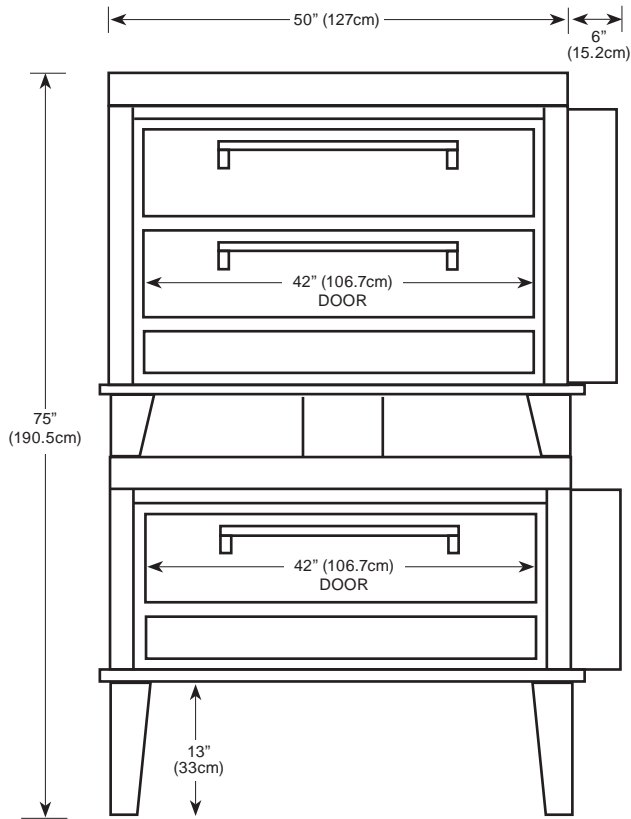


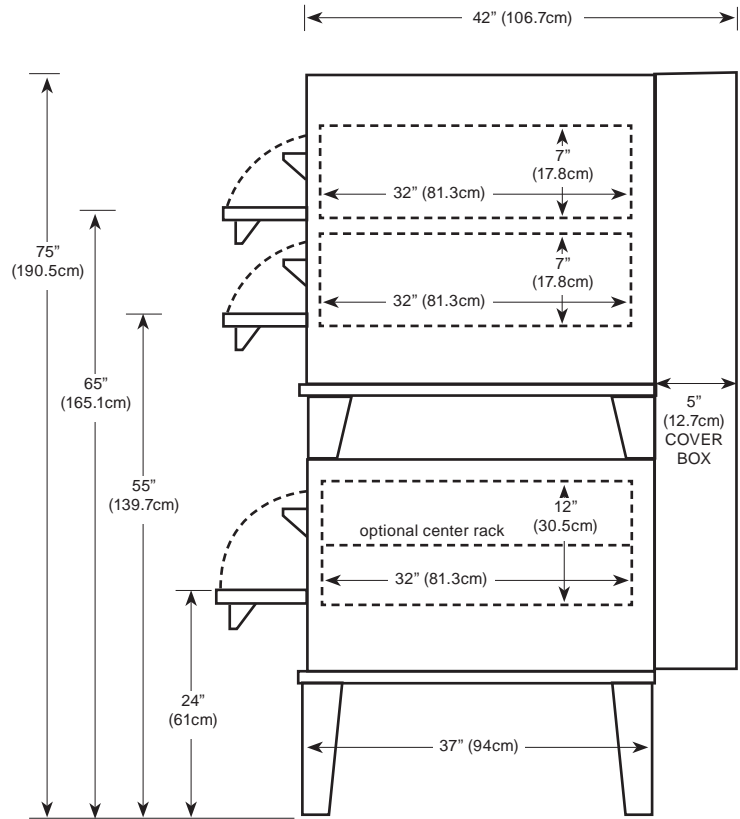
MAXIMIZER

Electric Industrial Ovens

MODEL CE51/CE61IESC



**FRONT VIEW
CE51/CE61IESC**



**SIDE VIEW
CE51/CE61IESC**

Floor space	56" (142.2cm) wide x 42" (106.7cm) deep* x 75" (190.5cm) high
Shelf size CE51IESC	42" (106.7cm) wide x 32" (81.3cm) deep x 12" (30.5cm) high
Shelf size CE61IESC	42" (106.7cm) wide x 32" (81.3cm) deep x 7" (17.8cm) high
Shipping weight	1200 lbs (544.3kg)
Capacity CE51IESC	Two 18"x26" trays per section
Capacity CE61IESC	Four 18"x26" trays per section
Electric CE51IESC	8 KW - 220V single phase, 50 AMPS Optional three phase, 30 AMPS
Electric CE61IESC	8 KW - 220V single phase, 60 AMPS Optional three phase, 40 AMPS
Maximum opening required for installation: 31"	* Handle adds 2.5"(6.4cm) to depth

